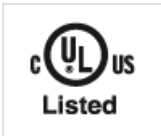


ADAPTOR M12 MALE/ M8 FEMALE 4 POLE CONF. 1,2,3,4

Adapter
 Male - female
 M12 – M8, 4-pole
 for M12 distribution box, 4-pole
 M12, A-coded
 Art-No. 7005 - M12/M8 Lite - (plastic hexagonal screw) on request

Illustration

Product may differ from Image

Approvals**Form**

Form 42211

Technical Data

Operating voltage	max. 50 V AC/60 V DC
Operating voltage (only UL listed)	max. 30 V AC/DC
Rated surge voltage	1.5 kV
Operating current per contact	max. 4 A
No. of poles	4
Material group	IEC 60664-1, category I
Coding	M12, A-coded
LED display	no
Locking of ports	Screw thread (M8/M12×1 mm) recommended torque 0.4/0.6 Nm, self-securing
Compression gland	M8 (SW9), M12 (SW13)
Protection	IP67 inserted and tightened (EN 60529)
Locking material	Zinc die casting, matte nickel plated
Material	PUR
Mating cycles	≥ 100

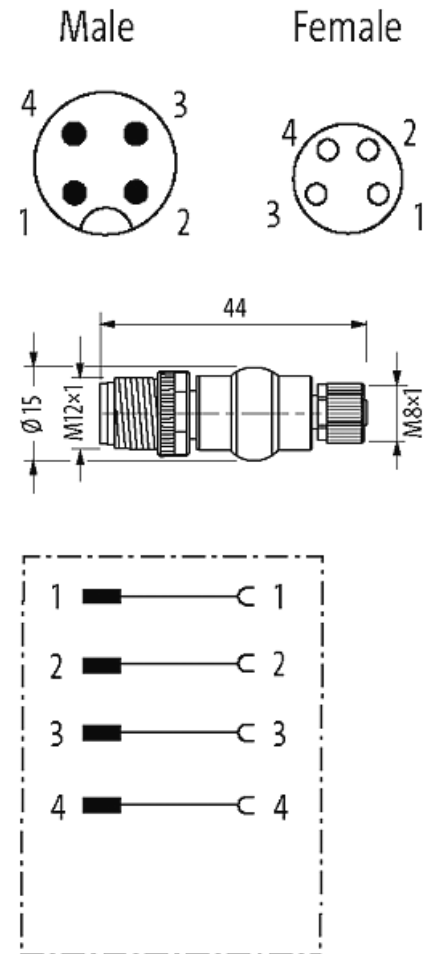
General data

Standards	DIN EN 61076-2-101 (M12), DIN EN 61076-2-104 (M8)
Mounting method	inserted, tightened
Material (contact)	Copper alloy
Material (contact surface)	Au
Material (gasket)	FKM

Pollution Degree	3
Temperature range	-25...+85 °C

Commercial data

country of origin	DE
customs tariff number	85366990
EAN	4048879143196
eClass	27143423
Packaging unit	1

Sketch

Product may differ from Image